

# KYRA-24V4-T

Kyra-LED

## RF Synchronous 4 CH LED Controller

- 4-channel constant voltage PWM output, maximum 8A output current per channel.
- DIP switch set master or slave mode,  
4 light types (DIM/CCT/RGB/RGBW),  
4 output PWM frequency (500Hz/2000Hz/8000Hz/16000Hz).
- Match with RF 2.4G remote controller.
- When used as an RGB/RGBW LED controller, built in 10 RGB dynamic mode,  
including jump or gradual change style.
- The master and slave communication adopts RJ45 interface and complies with DMX512 standard protocol.
- The slave can also use a 4-channel DMX512 decoder with 16-bit decoding.
- Over-heat / Overload / Short circuit protection, recover automatically.

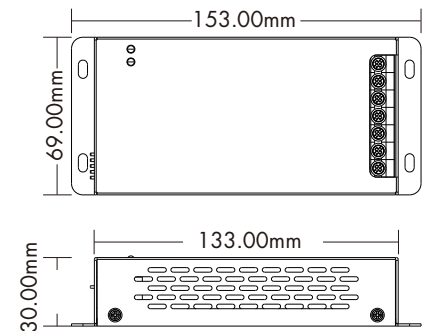
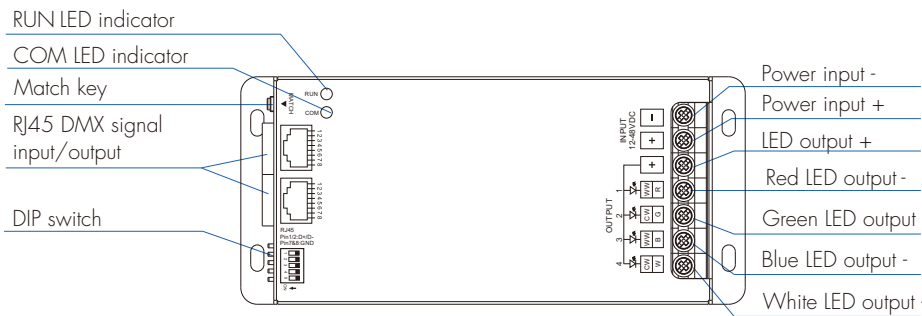


CE RoHS RED

### Technical Parameters

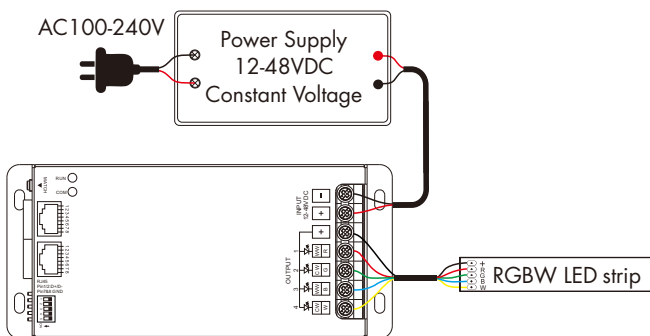
Input and Output	Dimming data	Safety and EMC
Input voltage: 12-48VDC	Input signal: RF 2.4GHz	EMC standard: ETSI EN 301 489-1 V2.2.3 ETSI EN 301 489-17 V3.2.4
Input current: Max 32.5A	Output signal: DMX512 (4 CH, 16 Bit)	Safety standard: EN 61347-1:2015+A1:2021 EN 61347-2-13:2014+A1:2017
Output voltage: 4 x (12-48)VDC	Control distance: 15m(Barrier-free space)	Radio Equipment: ETSI EN 300 328 V2.2.2
Output current: 4x8A@12/24V 4x6A@36/48V	Dimming gray scale: 65536 levels	Certification: CE RED
Output power: 4x96W@12V 4x192W@24V 4x216W@36V 4x288W@48V	Dimming range: 0-100%	Warranty: 5 years
Output type: Constant voltage	PWM Frequency: 500Hz/2000Hz/8000Hz/16000Hz	<b>Environment</b>
	<b>Package</b>	Operation temperature: Ta: -20 °C ~ +50 °C
	Size: 1156.5 x W72 x H34mm	Case temperature (Max.): Tc: +80 °C
	Gross weight: 0.34kg	IP rating: IP 20

### Mechanical Structures and Installations

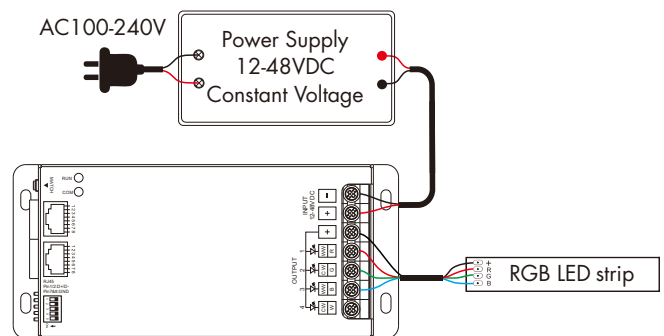


### Wiring Diagram

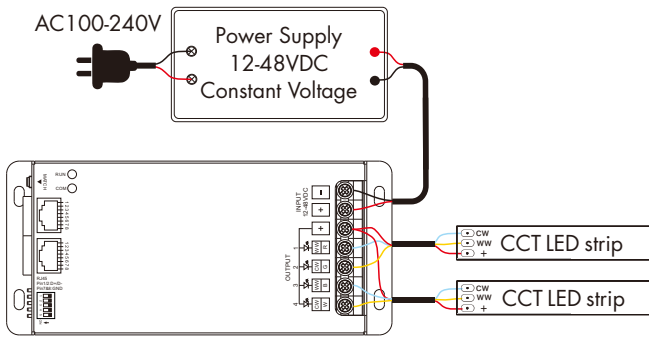
- KYRA-24V4-T connected to RGBW LED strip



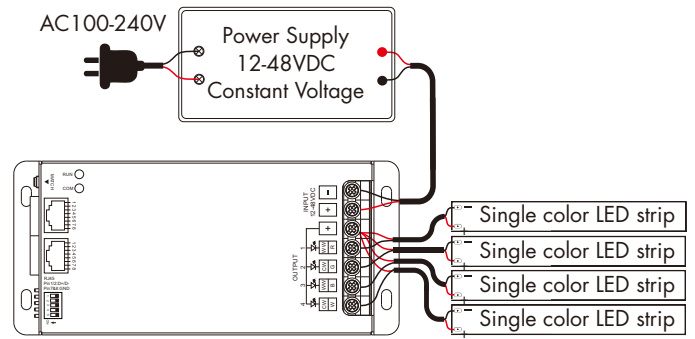
- KYRA-24V4-T connected to RGB LED strip



- KYRA-24V4-T connected to CCT LED strip



- KYRA-24V4-T connected to single color LED strip



## DIP Switch Setting

- DIP switch 1 set the master or slave mode.

Work mode	Master	Slave

- DIP switch 2-3 set the light type.

Light type	DIM	CCT	RGB	RGBW

- DIP switch 4-5 set the PWM frequency.

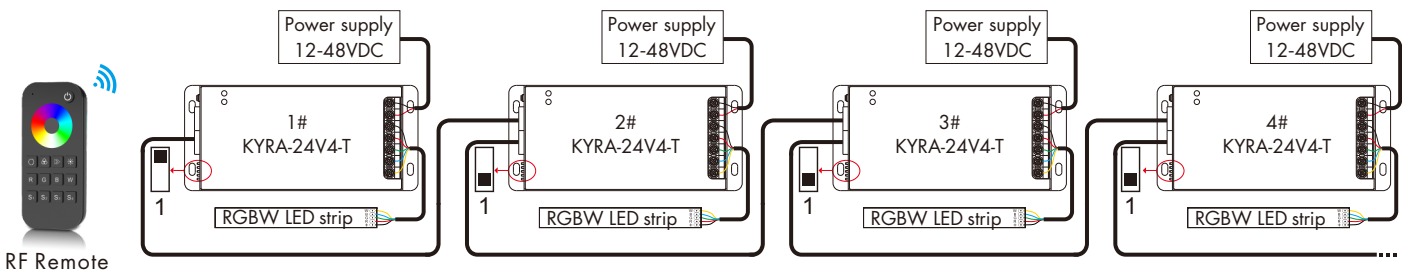
PWM frequency	500Hz	2KHz	8KHz	16KHz
Iout (12-24V)	4×8A	4×8A	4×5A	4×5A
Iout (36-48V)	4×6A	4×6A	4×4A	4×4A

### NOTE:

1. When using multiple controllers at the same time, only one controller can be set to the master, and the other controllers should be set to the slave mode.
2. The Master controller sets the lighting type, controls 4 channels of constant voltage output, and outputs 4 channels of 16-bit DMX data.
3. The slave controller doesn't need to set the lighting type and receives 4 channels of 16-bit DMX data from master controller for controlling the 4 channels of constant voltage output.
4. The master and slave controllers can select the same or different PWM frequency.

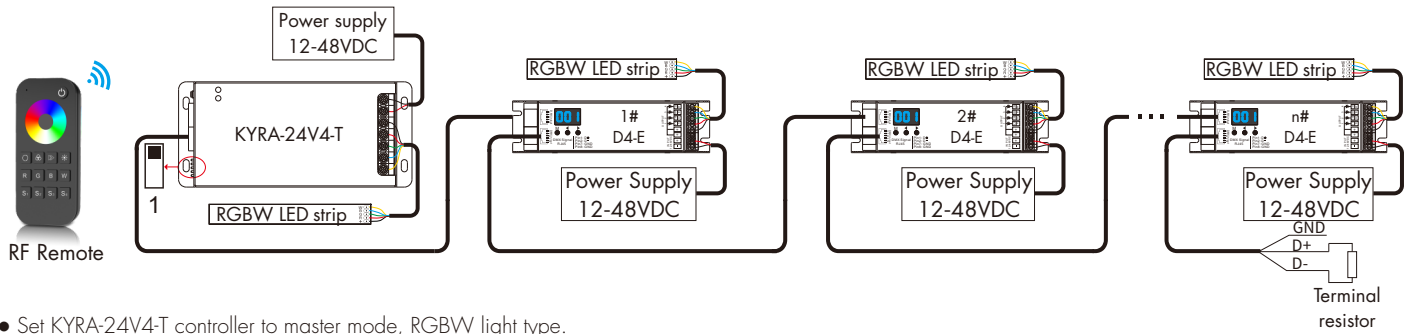
## Application Examples

1. Synchronized control of multiple KYRA-24V4-T controllers



- Set 1# KYRA-24V4-T controller to master mode, RGBW light type.  
Set other KYRA-24V4-T controllers (2#,3#,4#...) to slave mode.
- Master controller: RUN indicator and COM indicator are always on.  
RUN indicator flash when master controller receives the RF signal.
- Slave controller: RUN indicator is always on, COM indicator is always off.  
COM indicator flash when the RJ45 port receives the DMX data.

2. One KYRA-24V4-T controller as master and multiple 4-channel DMX512 decoders as slaves for synchronized control



- Set KYRA-24V4-T controller to master mode, RGBW light type.
- For all 4-channel DMX512 decoders, set the start decoding address to 001 and 16 bit decoding.
- Master controller: RUN indicator and COM indicator are always on. RUN indicator flash when master controller receives the RF signal.
- Slave decoder: When the RJ45 port receives the DMX data, the digital display 001 is always on; When the RJ45 port doesn't receive the DMX data, the digital display 001 is flashing.

**NOTE:**

1. If more than 32 slaves are connected, or if extra-long signal wires are used, a DMX signal amplifier needs to be connected, and the signal should not be amplified more than five times.
2. If overshoot effect happens due to long signal wires or poor wire quality, please connect a 0.25W 90-120Ω terminal resistor at the end of each DMX signal wire.

**Master Controller Match With RF Remote**

There are two ways to match/delete:

**Use Match key**

Match:  
Short press match key, immediately press on/off key (single zone remote) or zone key (multiple zone remote) of the remote.  
The RUN indicator blinks means match is successful.

Delete:  
Press and hold match key for 5s to delete all match, The RUN indicator blinks means all matched remotes were deleted.

**Use Power Restart**

Match:  
Switch off the power, then switch on power, repeat again. Immediately short press on/off key (single zone remote) or zone key (multiple zone remote) 3 times on the remote. The light blinks 3 times means match is successful.

Delete:  
Switch off the power, then switch on power, repeat again. Immediately short press on/off key (single zone remote) or zone key (multiple zone remote) 5 times on the remote. The light blinks 5 times means all matched remotes were deleted.

**RGB/RGBW Lighting Dynamic Mode (RF Remote Control)**

No.	Name	No.	Name
1	RGB jump	6	RGB fade in and out
2	RGB smooth	7	Red fade in and out
3	6 color jump	8	Green fade in and out
4	6 color smooth	9	Blue fade in and out
5	Yellow cyan purple smooth	10	White fade in and out