

## Wall Mounted Touch Panel

- Touch panel 4 zone single color DMX512 master, can also be used as 4 zone single color RF remote.
- DMX signal output, comply to standard DMX512 protocol, compatible with DMX decoder from any supplier.
- When used as RF remote, each zone can remote control multiple RF 2.4G LED controllers.
- Ultra sensitive high strength glass touch panel with touch color slide in the middle.
- Smooth and accurate color adjustment by touching the color slide.
- Touch keys with LED indicator.

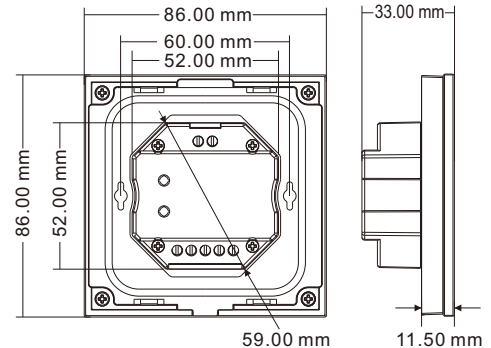
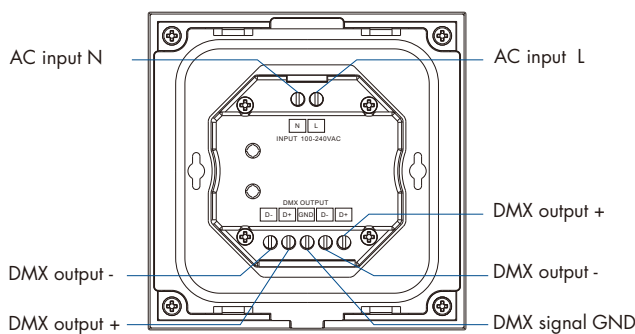


CE RoHS

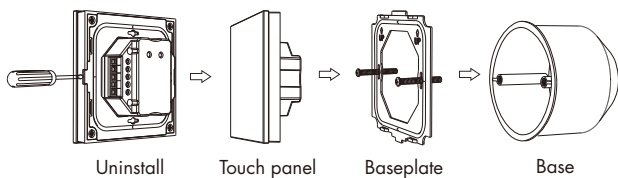
### Technical Parameters

Input and Output		Dimming data		Safety and EMC	
Input voltage	100-240VAC	Input signal	Touch key + RF 2.4GHz	EMC standard	ETSI EN 301 489-1 V2.2.3 ETSI EN 301 489-17 V3.2.4
Input current	Max 0.1A	RF Control distance	10m(Barrier-free space)	Safety standard	EN 61347-1:2015+A1:2021 EN 61347-2-13:2014+A1:2017
Output signal	DMX512, RF 2.4GHz	Dimming level	256 levels	Radio Equipment	ETSI EN 300 328 V2.2.2
Output DMX channel number	4	Dimming range	0-100%	Certification	CE RED
Environment		Package		Warranty	
Operation temperature	Ta: -30°C ~ +55°C	Size	L112 x W112 x H50mm	Warranty	5 years
Case temperature (Max.)	Tc: +65°C	Gross weight	0.230kg		
IP rating	IP20				

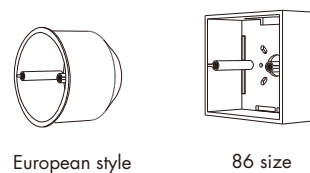
### Mechanical Structures and Installations



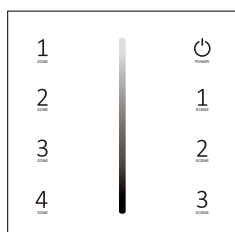
Installation diagram:



Typical base as below:



### Key function



- Power — Turn on/off all zone light.
- Brightness slide — Brightness slide.
- Scene 1 2 3 — Short press recall scene. Long press 2s to save the current state into 1/2/3.
- Zone 1 2 3 4

Short press turn on zone light and select zone simultaneously, long press 2s turn off zone light. 4 zone control separately or synchronously, each zone could control multiple receivers.

Turn on key tone: Long press power key for 5s when all zone light is off, will turn on or turn off key tone.



## Touch Panel work as RF remote

Touch panel 4 zone remote can match with RF controller for the corresponding light type.  
End user can choose the suitable match/delete ways. Two options are offered for selection:

### Use the controller's Match key

Match:

Short press match key, immediately press zone key of the touch panel.  
The LED indicator fast flash a few times means match is successful.

Delete:

Press and hold match key for 5s to delete all match,  
The LED indicator fast flash a few times  
means all matched remotes were deleted.

### Use Power Restart

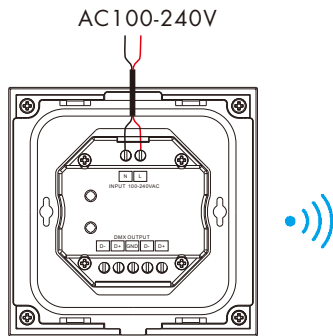
Match:

Switch off the power of the receiver, then switch on power, repeat again.  
Immediately short press zone key 3 times on the touch panel.  
The light blinks 3 times means match is successful.

Delete:

Switch off the power of the receiver, then switch on power, repeat again.  
Immediately short press zone key 5 times on the touch panel.  
The light blinks 5 times means all matched remotes were deleted.

## Wiring Diagram for touch panel work as RF remote



## Malfunctions analysis & troubleshooting

Malfunctions	Causes	Troubleshooting
No light	<ol style="list-style-type: none"> <li>1. No power.</li> <li>2. Wrong connection or insecure.</li> </ol>	<ol style="list-style-type: none"> <li>1. Check the power.</li> <li>2. Check the connection.</li> </ol>
Wrong color	<ol style="list-style-type: none"> <li>1. DMX decoder first address error.</li> <li>2. Wrong connection of output wires.</li> </ol>	<ol style="list-style-type: none"> <li>1. Check the DMX first address.</li> <li>2. Reconnect output wires.</li> </ol>