

SP150-24VLT

DATA SHEET



SP150-24VLT

DESCRIPTION

Brief Description

150W Constant Voltage Triac-Dimmable LED Driver 24VDC 2-6.25A IP20.

PHYSICAL CHARACTERISTICS

Colour Finish White

MECHANICAL SPECIFICATION

Item Nett Weight (kg) 0.800kg
 Length (mm) 195mm
 Width (mm) 67.1mm
 Height (mm) 31.2mm

ELECTRICAL & SAFETY SPECIFICATION

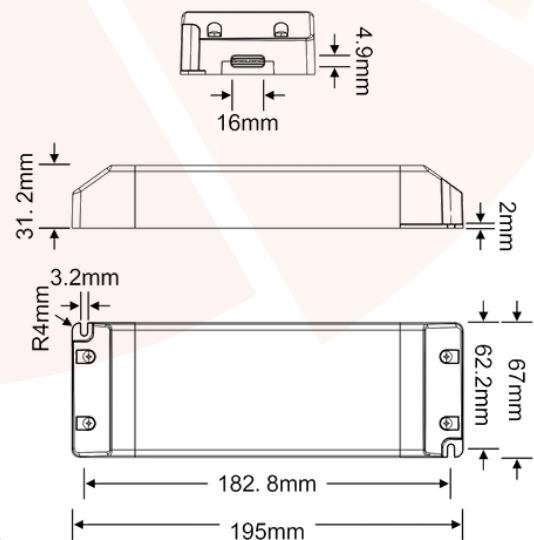
Protection Class Class 2 - Double Insulated
 Dimmable Yes
 IP Rating IP20

QUALITY STANDARDS

Average Life (hrs) 50000hrs
 Warranty (yrs) 5yrs



DIMENSIONS



Address: 247 Bilston Road, Wolverhampton, WV2 2JN

E-mail: sales@neselec.co.uk

Website: www.neselec.co.uk

Phone: 01902 458 237