

SP200-24VLT

DATA SHEET



SP200-24VLT

DESCRIPTION

Brief Description	200W Constant Voltage Triac-Dimmable LED Driver 24VDC 4.16- 8.3A IP20.
-------------------	--

PHYSICAL CHARACTERISTICS

Colour Finish	White
---------------	-------

MECHANICAL SPECIFICATION

Item Nett Weight (kg)	0.800kg
Length (mm)	215mm
Width (mm)	77.5mm
Height (mm)	35mm

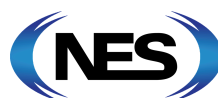
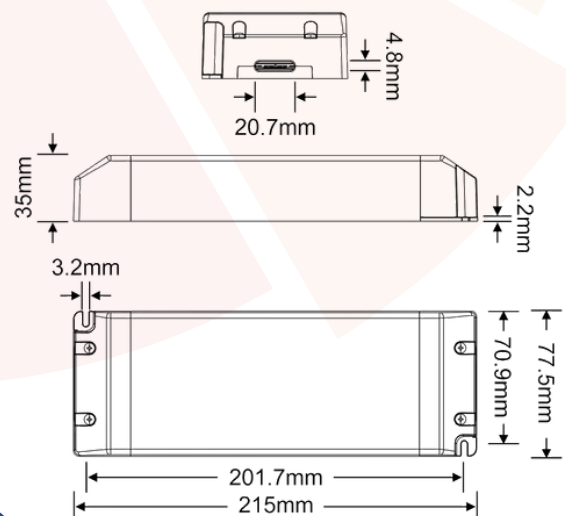
ELECTRICAL & SAFETY SPECIFICATION

Protection Class	Class 2 - Double Insulated
Dimmable	Yes
IP Rating	IP20

QUALITY STANDARDS

Average Life (hrs)	50000hrs
Warranty (yrs)	5yrs

DIMENSIONS



Address: 247 Bilston Road, Wolverhampton, WV2 2JN

E-mail: sales@neselec.co.uk

Website: www.neselec.co.uk

Phone: 01902 458 237