

# SP300-24VLT

## DATA SHEET



### SP300-24VLT

## DESCRIPTION

**Brief Description** 300W Constant Voltage Triac-Dimmable LED Driver 24VDC 6-12.5A IP20.

### PHYSICAL CHARACTERISTICS

**Colour Finish** White

### MECHANICAL SPECIFICATION

**Item Nett Weight (kg)** 0.890kg  
**Length (mm)** 215mm  
**Width (mm)** 77.5mm  
**Height (mm)** 35mm

### ELECTRICAL & SAFETY SPECIFICATION

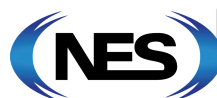
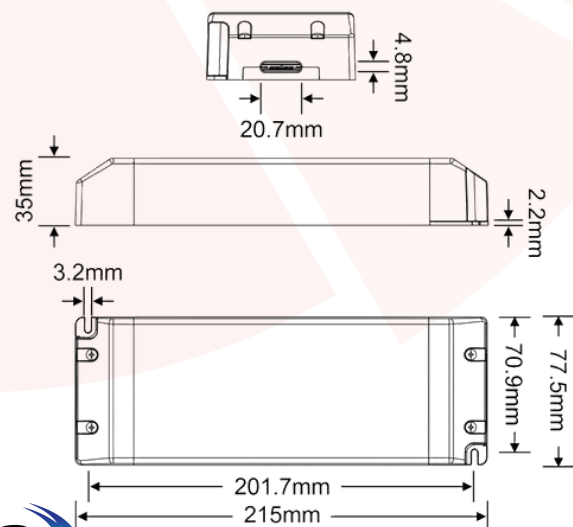
**Protection Class** Class 2 - Double Insulated  
**Dimmable** Yes  
**IP Rating** IP20

### QUALITY STANDARDS

**Average Life (hrs)** 50000hrs  
**Warranty (yrs)** 5yrs



## DIMENSIONS



Address: 247 Bilston Road, Wolverhampton, WV2 2JN

E-mail: [sales@neselec.co.uk](mailto:sales@neselec.co.uk)

Website: [www.neselec.co.uk](http://www.neselec.co.uk)

Phone: 01902 458 237