

SP50-24VLT

DATA SHEET



SP50-24VLT

DESCRIPTION

Brief Description

50W Constant Voltage Triac-Dimmable LED Driver 24VDC 0.8-2.08A IP20.

PHYSICAL CHARACTERISTICS

Colour Finish White

MECHANICAL SPECIFICATION

Item Nett Weight (kg) 0.250kg
 Length (mm) 177mm
 Width (mm) 57.8mm
 Height (mm) 21.8mm

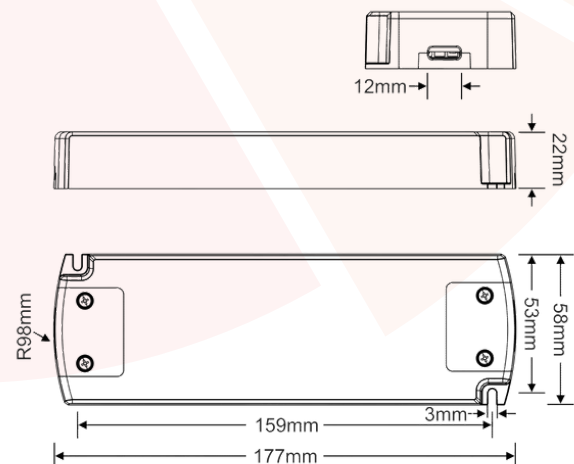
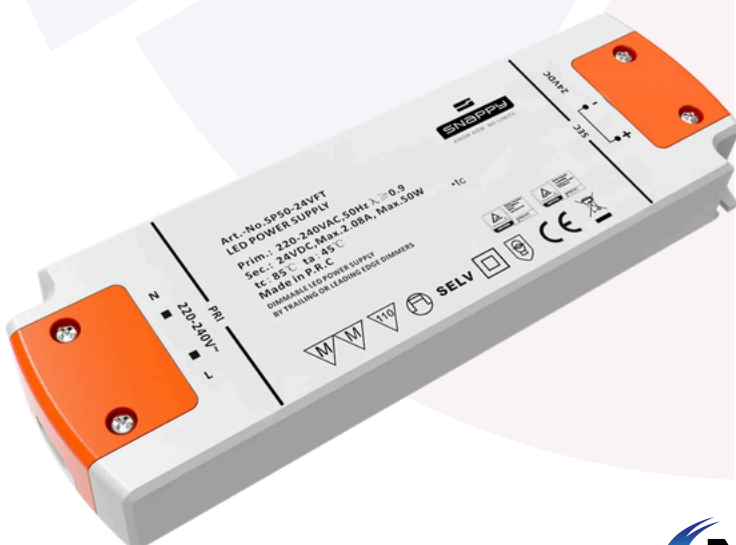
ELECTRICAL & SAFETY SPECIFICATION

Protection Class Class 2 - Double Insulated
 Dimmable Yes
 IP Rating IP20

QUALITY STANDARDS

Average Life (hrs) 30000hrs
 Warranty (yrs) 3yrs

DIMENSIONS



Address: 247 Bilston Road, Wolverhampton, WV2 2JN

E-mail: sales@neselec.co.uk

Website: www.neselec.co.uk

Phone: 01902 458 237