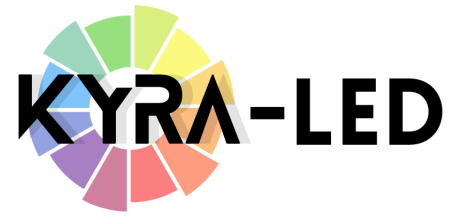


SPF100-24VSP

DATA SHEET



SPF100-24VSP

DESCRIPTION

Brief Description

100W, Constant Voltage Non Dimmable LED Driver, 24VDC, 4.17A, Input 200-240VAC 50/60Hz, IP67.

PHYSICAL CHARACTERISTICS

Colour Finish White

MECHANICAL SPECIFICATION

Length (mm) 155.6mm

Width (mm) 47.6mm

Height (mm) 32.5mm

ELECTRICAL & SAFETY SPECIFICATION

Protection Class Class 2 - Double Insulated

Dimmable No

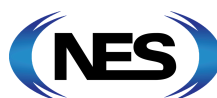
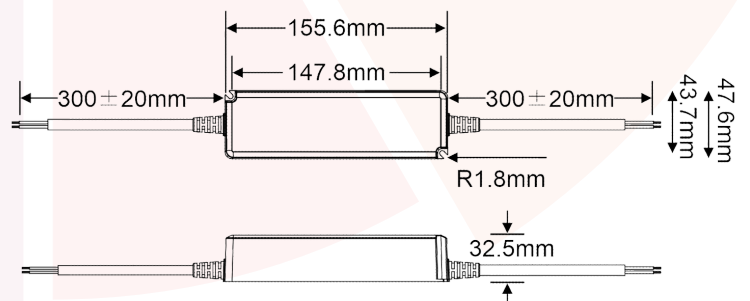
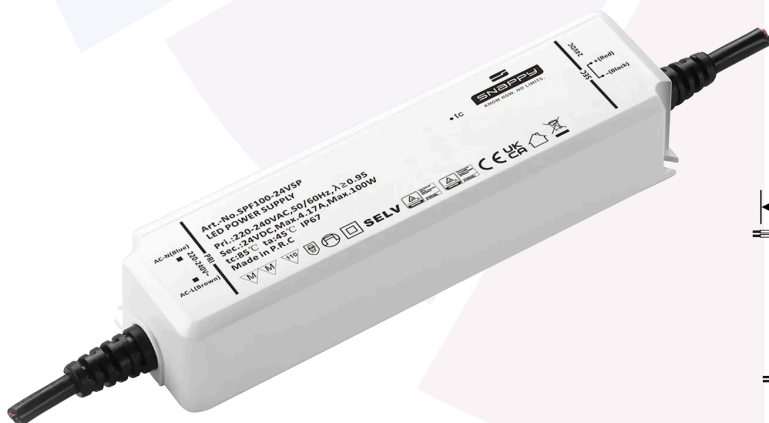
IP Rating IP67

QUALITY STANDARDS

Average Life (hrs) 50000hrs

Warranty (yrs) 5yrs

DIMENSIONS



Address: 247 Bilston Road, Wolverhampton, WV2 2JN

E-mail: sales@neselec.co.uk

Website: www.neselec.co.uk

Phone: 01902 458 237