

SEA15-24VL

DESCRIPTION

Brief Description

15W, Constant Voltage Non Dimmable LED Driver, 24VDC, 0.625A, Input 200-240VAC 50/60Hz, IP20.

PHYSICAL CHARACTERISTICS

Colour Finish White

MECHANICAL SPECIFICATION

Item Nett Weight (kg) 0.60kg
 Length (mm) 101mm
 Width (mm) 39.5mm
 Height (mm) 19.5mm

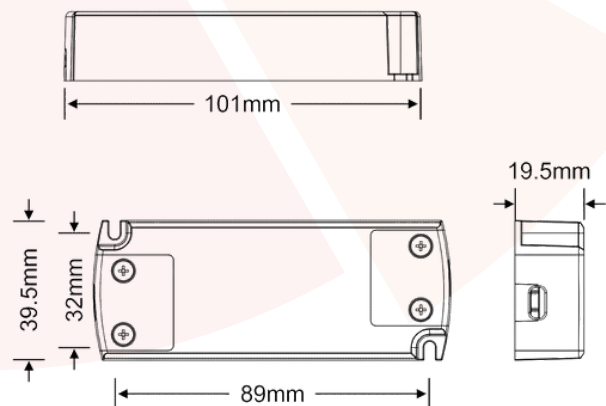
ELECTRICAL & SAFETY SPECIFICATION

Protection Class Class 2 - Double Insulated
 Dimmable No
 IP Rating IP20

QUALITY STANDARDS

Average Life (hrs) 30000hrs
 Warranty (yrs) 3yrs

DIMENSIONS



Address: 247 Bilston Road, Wolverhampton, WV2 2JN

E-mail: sales@neselec.co.uk

Website: www.neselec.co.uk

Phone: 01902 458 237