

SP30-24VFT

DATA SHEET



SP30-24VFT

DESCRIPTION

Brief Description

30W Constant Voltage Triac-Dimmable LED Driver 24VDC 0.25-1.25A IP20.

PHYSICAL CHARACTERISTICS

Colour Finish White

MECHANICAL SPECIFICATION

Item Nett Weight (kg) 0.12kg

Length (mm) 158mm

Width (mm) 45.8mm

Height (mm) 18.3mm

ELECTRICAL & SAFETY SPECIFICATION

Protection Class Class 2 - Double Insulated

Dimmable Yes

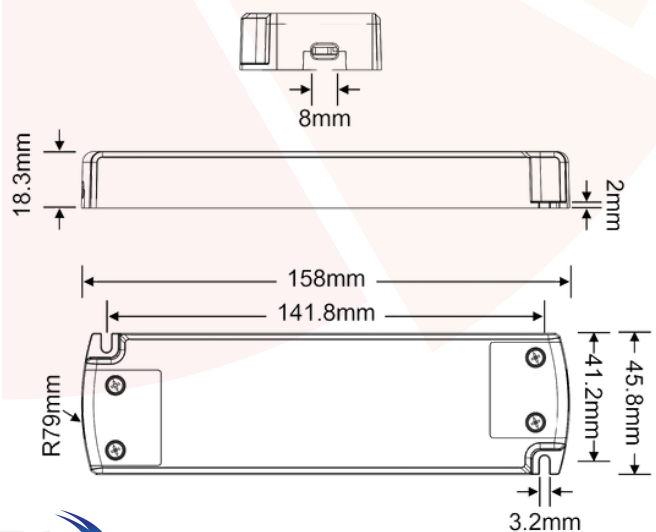
IP Rating IP20

QUALITY STANDARDS

Average Life (hrs) 50000hrs

Warranty (yrs) 5yrs

DIMENSIONS



Address: 247 Bilston Road, Wolverhampton, WV2 2JN

E-mail: sales@neselec.co.uk

Website: www.neselec.co.uk

Phone: 01902 458 237