

SPF60-24VSP

DATA SHEET



SPF60-24VSP

DESCRIPTION

Brief Description

60W, Constant Voltage Non Dimmable LED Driver, 24VDC, 2.5A, Input 200-240VAC 50/60Hz, IP20.

PHYSICAL CHARACTERISTICS

Colour Finish White

MECHANICAL SPECIFICATION

Item Nett Weight (kg) 0.223kg
 Length (mm) 170mm
 Width (mm) 44.5mm
 Height (mm) 28.2mm

ELECTRICAL & SAFETY SPECIFICATION

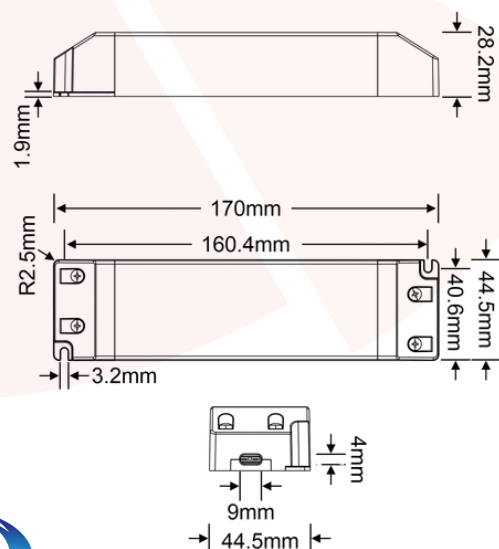
Protection Class Class 2 - Double Insulated
 Dimmable No
 IP Rating IP20

QUALITY STANDARDS

Average Life (hrs) 30000hrs
 Warranty (yrs) 3yrs



DIMENSIONS



Address: 247 Bilston Road, Wolverhampton, WV2 2JN

E-mail: sales@neselec.co.uk

Website: www.neselec.co.uk

Phone: 01902 458 237